



Hahn KT-EV / KT-EN

For entrance and side entrance doors



■ For all common
upstand dimensions
from 15 to 23 mm





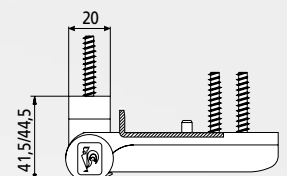
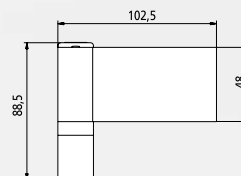
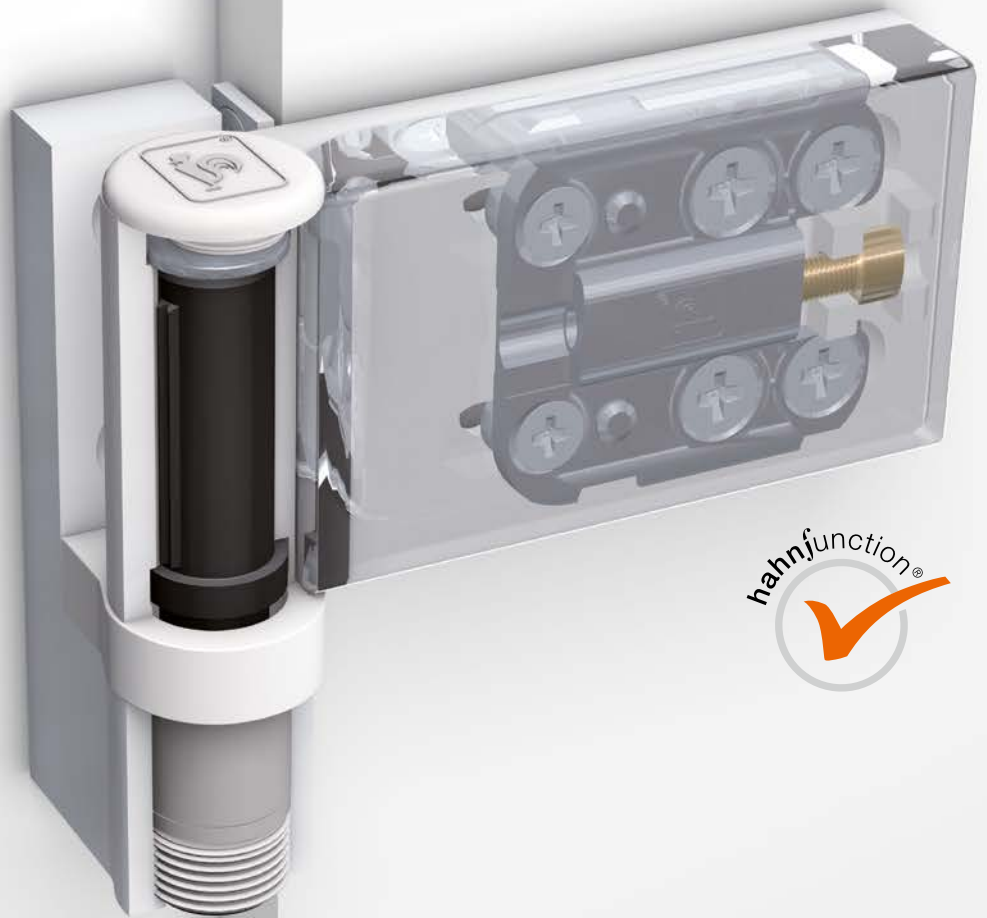
Hahn KT-EN

Universal hinge with upstand fastening
for entrance and side entrance doors



Properties

- For optimum function:
Wear-resistant and snug fit
of all bearing and adjust-
ment elements.
- Lowering and lifting spindle
secured for transport.
- For all common upstand
dimensions from 15 to 23
mm.
- Individual parts are securely
positioned in the hinge
bodies – therefore, no
problems during transport
or door assembly.
- Efficient alignment, all
adjustments can be carried
out by a single person.
- Greater security with inte-
grated anti-intruder system
without any additional parts.
- Greater convenience with
variable adjustment of
sealing pressure without
having to lift or remove
the door.
- KT-EN with upstand
fastening for additional
stability.
- **NEW:** Also available with
self-tapping screws.



for standard frames

Hahn KT-EV

Universal hinge for entrance and side entrance doors



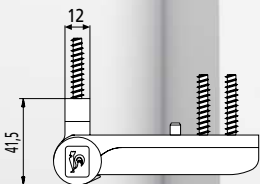
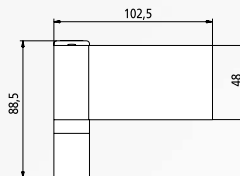
Areas of application

For light-weight PVC doors with narrow sections:

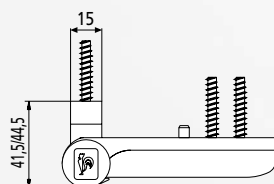
- Main entrance doors
- Side entrance doors
- Inside doors
- Outside doors
- Flat entrance doors
- Opening inwards or outwards
- May be used universally

Materials

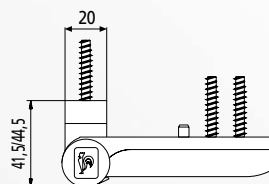
- Hinge bodies of extruded aluminium
- Wear-resistant stainless steel bearing pins
- Bearing bushings made of PVC with Teflon additive
- Maintenance free due to the self-lubricating feature of the special bearing materials that also offers outstanding antifrictional qualities
- Best surface finish
- Bearings are protected against dirt and moisture



for very narrow frames



for narrow frames



for standard frames



Installation instructions

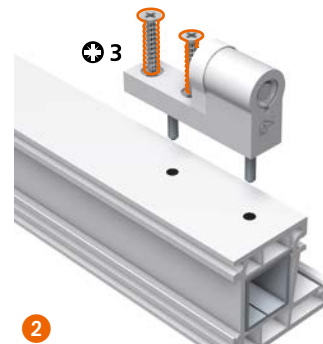
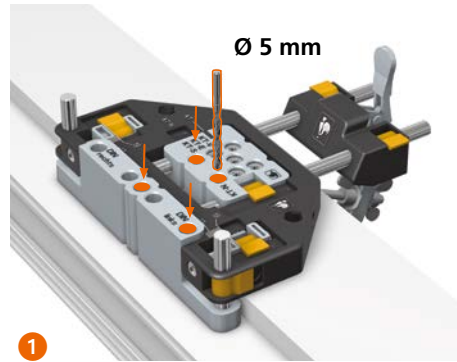
- 1 Position, drill holes in frame and door (Fig. shows door with hinges on left).
- 2 Install hinge on frame and screw down (max. 4 Nm).

- 1 Position, drill holes in frame and door (Fig. shows door with hinges on left).
- 2 Install hinge on frame and screw down (max. 4 Nm).

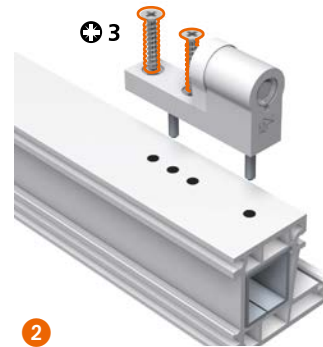
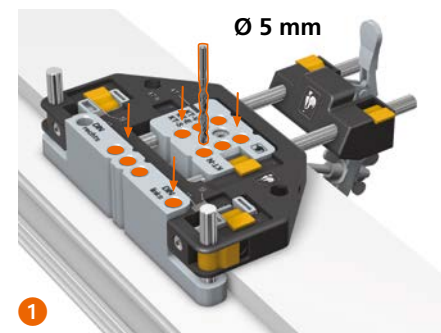
- 1 Insert bearing pin with marking to centre (zero position) in the door hinge part. Secure pin with special screw (max. 4 Nm).
- 2 Screw-on door hinge. Use additionally two screws – if necessary.
- 3 KT-EN: Screw-on angle steel at the upstand of the door.
- 4 Place and slip on hinge cover in the cut-out. Snap cap in place. Screw in locking screw.

Installing the hinge part for frame

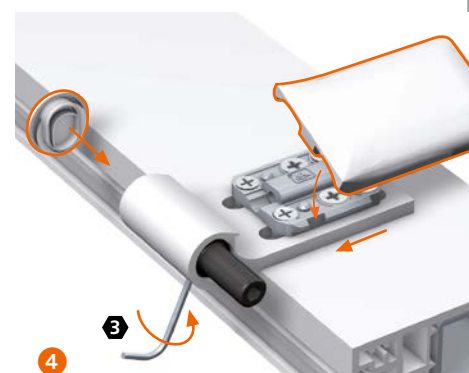
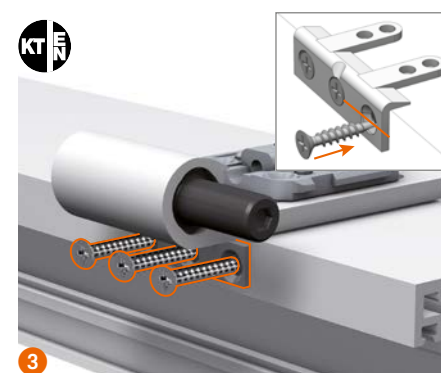
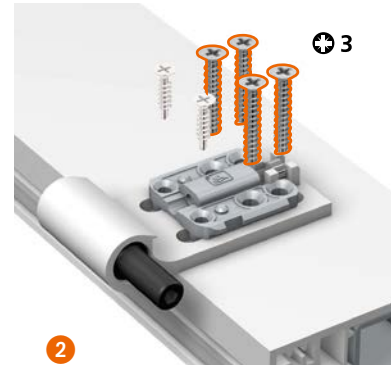
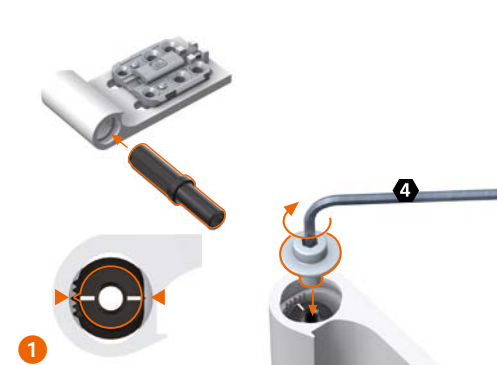
! With self-tapping screws



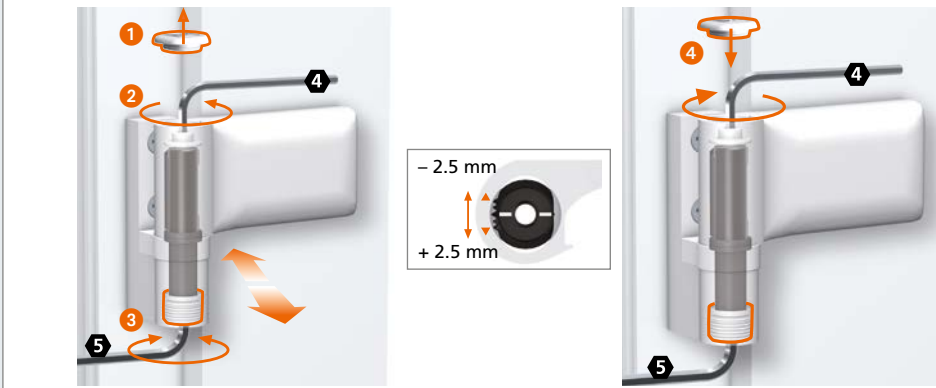
! With standard screws



Assembling the sash part of the hinge

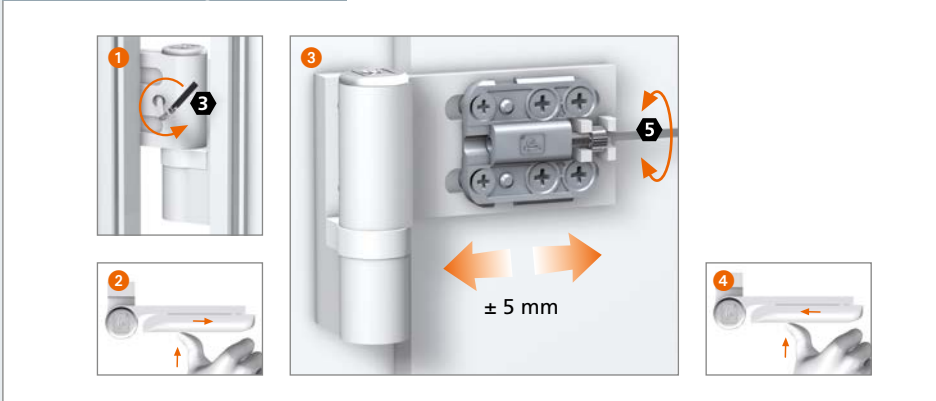


Adjusting the sealing pressure



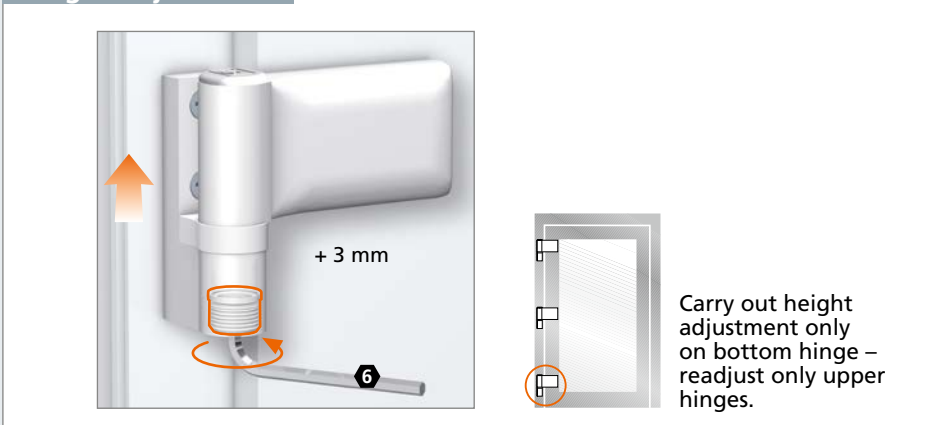
- 1 Remove cap.
- 2 Slightly loosen special screw.
- 3 Adjust sealing pressure and hold in position.
- 4 Tighten special screw (max. 4 Nm) and slip on cap.

Horizontal adjustment



- 1 Loosen locking screw.
- 2 Remove cover strip.
- 3 Variable adjustment.
- 4 Slip on cover strip and tighten locking screw.

Height adjustment

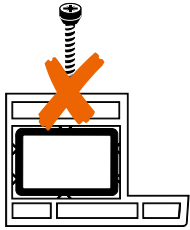


Vertical adjustment, variable + 3 mm

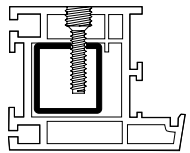
Carry out height adjustment only on bottom hinge – readjust only upper hinges.



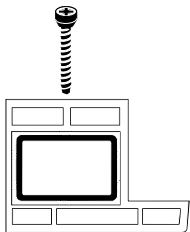
Load capacity with various degrees of armouring



In case of sections with prechambers, direct installation of screws may cause deformation of the prechamber.



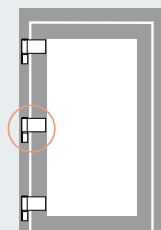
Bridge prechamber in case of direct installation with Hahn step screw.



With braced prechambers, it is no longer necessary to use lining material as long as the fastening screw goes through the web or just to the side of it.





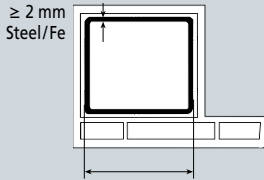
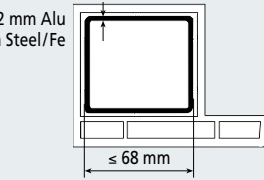
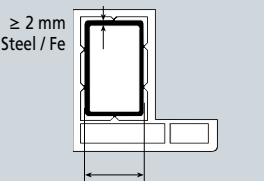
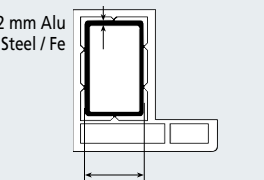
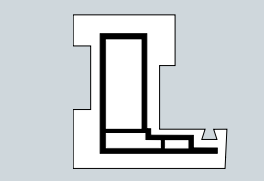


Do not install a hinge to sections that do not have any reinforcement!

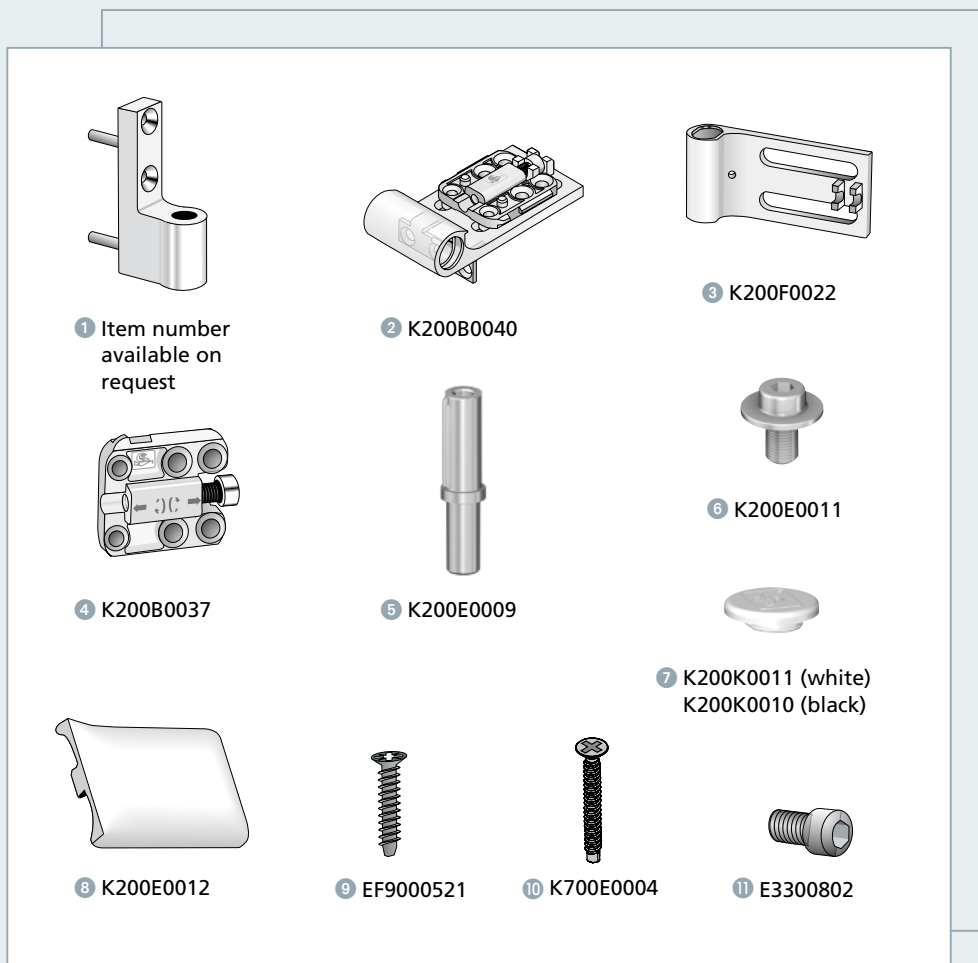


Even with a third hinge installed in the middle, it is not possible to use heavier doors. The third hinge only helps to ensure a uniform sealing pressure.

Max. door weight

	 for very narrow frames	 for narrow frames	 for standard frames	 for standard frames
 <p>≥ 2 mm Steel/Fe</p>	60 kg	80 kg	120 kg	120 kg
 <p>≥ 2 mm Alu ≥ 1 mm Steel/Fe ≤ 68 mm</p>	60 kg	80 kg	80 kg	80 kg
 <p>≥ 2 mm Steel/Fe</p>	60 kg	80 kg	120 kg	120 kg
 <p>≥ 2 mm Alu ≥ 1 mm Steel/Fe</p>	60 kg	80 kg	80 kg	80 kg
	60 kg	80 kg	120 kg	120 kg

The cited door weights pertain to doors that are 1000 x 2000 mm and which are exposed to normal stress when mounted on two hinges. This information is subject to proper installation of door and general installation scenarios and therefore we accept no responsibility. If in doubt, please contact us. We would gladly advise you.



- 1 Frame hinge blade
- 2 Door hinge blade KT-EN, adjustment unit pre-assembled with angle stop
- 3 Door hinge blade KT-EV
- 4 Adjustment unit KT-EV
- 5 Bearing pin
- 6 Special screw
- 7 Cap
- 8 Cover strip
- 9 Countersunk head tapping screw 6 x 40
- 10 Self-tapping screw
- 11 Locking screw for cover strip (small)

Accessories

Drilling jig for standard frames	No. T305A0000
Drilling jig for very narrow and narrow frames	No. T308A0000
Automatic rod drilling jig for standard frames	No. T405A0000
Automatic rod drilling jig for very narrow and narrow frames	No. T408A0000

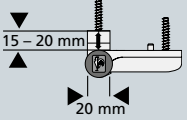
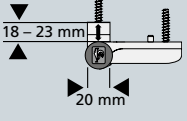
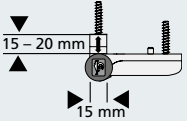
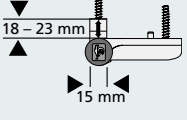
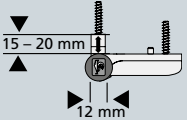
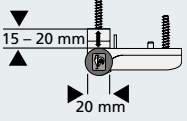
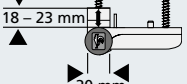


Bearing bushes made of maintenance-free PVC containing Teflon – **do not lubricate!**



Item numbers



<p>KT-EV for standard frame (20 mm hinge base)</p> <p>Upstand range I 15–20 mm</p>  <p>white RAL 9010 No. K207EV000 white RAL 9016 No. K207GV000 brown RAL 8077 No. K2075V000</p> <p>Upstand range II 18–23 mm</p>  <p>white RAL 9010 No. K207EV008 white RAL 9016 No. K207GV008 brown RAL 8077 No. K2075V008</p>				with self-tapping screws	
<p>KT-EV for narrow frames (15 mm hinge base)</p> <p>Upstand range I 15–20 mm</p>  <p>white RAL 9010 No. K207EV012 white RAL 9016 No. K207GV012 brown RAL 8077 No. K2075V012</p> <p>Upstand range II 18–23 mm</p>  <p>white RAL 9010 No. K207EV031 white RAL 9016 No. K207GV031 brown RAL 8077 No. K2075V031</p>					
<p>KT-EV for very narrow frames (12 mm hinge base)</p> <p>Upstand range I 15–20 mm</p>  <p>white RAL 9010 No. K207EV003 white RAL 9016 No. K207GV003 brown RAL 8077 No. K2075V003</p>					
<p>KT-EN for standard frame (20 mm hinge base)</p> <p>Upstand range I 15–20 mm</p>  <p>white RAL 9010 No. K206EV000 white RAL 9016 No. K206GV000 brown RAL 8077 No. K2065V000</p> <p>Upstand range II 18–23 mm</p>  <p>white RAL 9010 No. K206EV008 white RAL 9016 No. K206GV008 brown RAL 8077 No. K2065V008</p>					